

# INSTALLATION INSTRUCTIONS FOR INSTALLING A FAN HOUSING REPLACEMENT KIT IN A NATIONAL VENDORS®, CROWN SEVENTY TWO®, SERIES OR GOLDEN FURNITURE LINE, EPM-72 ELECTRIC PASTRY, 21CE-72 ELECTRIC CANDY, ECM-72 AND 140 SHOWCASE ELECTRIC CANDY, CANDY/SNACK MERCHANDISER

These instructions cover the procedure for installing a Fan Housing Replacement Kit in a Crown Seventy Two, Series or Golden Furniture Line, EPM-72 Electric Pastry, 21CE-72 Electric Candy, ECM-72 and 140 Showcase Electric Candy, Candy/Snack Merchandiser.

Read these instructions carefully and thoroughly before installing the Kit. Retain these instructions for part number and installation information.

Kit, Part Number 139-1007, contains the following parts:

Part Number	Description	Quantity
130-1038	4-Mesh Screen	1
130-1039	10-Mesh Screen	1
130-1058	Fan Housing	1
130-1059	Screen Retainer	1
222-2175	No. 6-20 x 1/2 RHS S/T Screw	4
9900-115	No. 8-32 x 3/4 RHS Screw	2
9900-072	No. 8-32 Self Locking Nut	2
9900-083	No. 6-32 Wing Nut	4
139-1008	Installation Instructions * * *	1

## TO INSTALL THE KIT

### A. PARTS REMOVAL

1. Disconnect the Merchandiser Power Cord from the wall receptacle.
2. Move the Merchandiser away from the wall for access to the Fan Assembly.

### WARNING

**Be sure the Door Support will prevent the Merchandiser from tipping over after the Cabinet Door is opened.**

3. Unlock and open the Cabinet Door.
4. For ECM-72 and EPM-72 Merchandisers, rotate the Delivery Mechanism out of the Cabinet to gain access to the Fan Assembly. For 21CE-72 and 140 Showcase Merchandisers, move the Trays out of the way to gain access to the Fan Assembly.

### NOTE

*Step 5 applies only to 140 Showcase Merchandisers.*

5. Remove and retain the four Screws and Fan Block from the inside rear Cabinet Wall of the Merchandiser.

### NOTE

*Steps 6 through 8 apply only to ECM-72, EPM-72 and 140 Showcase Merchandisers.*

6. Disconnect the Fan Assembly Cable from the Harness Assembly inside the Cabinet. See Figure 1 View A or View B as applicable.

### CAUTION

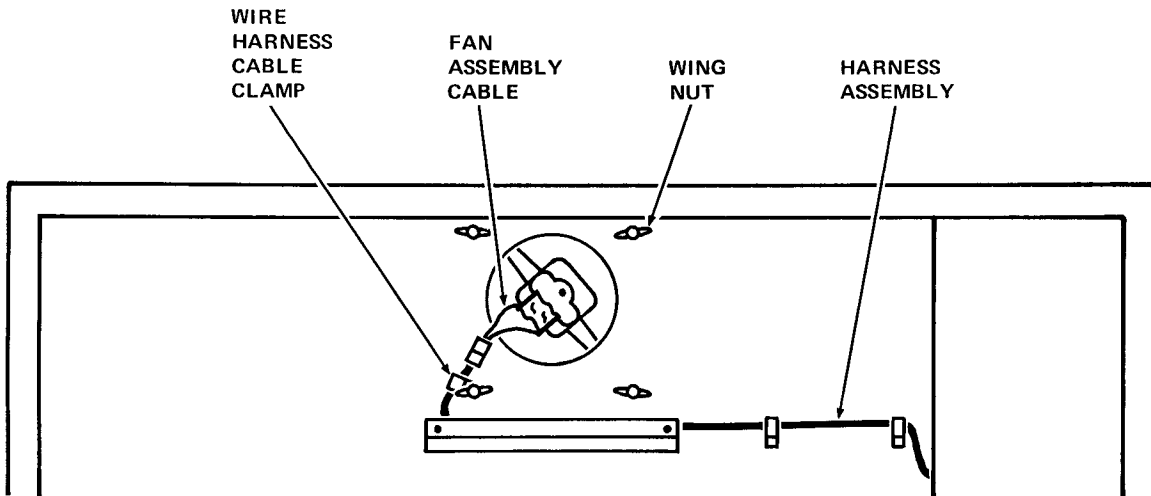
**Do not bump the Fan Assembly from its mounting holes in the rear Cabinet Wall.**

7. Remove the four Wing Nuts that attach the Fan Assembly to the Cabinet. See Figure 1 View A or View B as applicable.
8. Remove the Wire Harness Cable Clamp from the Fan Assembly Stud inside the Cabinet. See Figure 1 View A or View B as applicable.

### NOTE

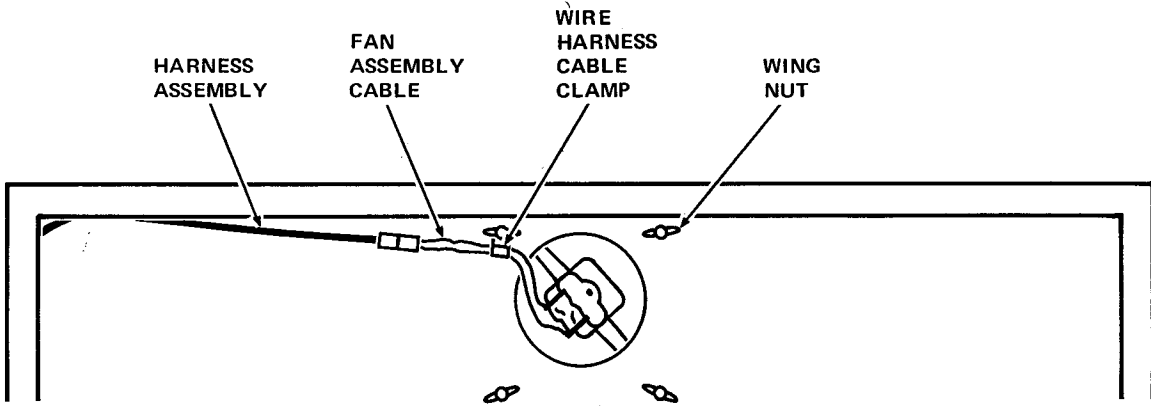
*Steps 9 through 11 apply only to 21CE-72 Merchandisers.*

9. Remove the two lower Wing Nuts attaching the Fan Assembly to the Cabinet. See Figure 1 View C.
10. Loosen the two upper Wing Nuts attaching the Fan Assembly to the Cabinet. See Figure 1 View C.
11. Raise the Fan Assembly from the rear of the Cabinet and disconnect the Fan Assembly Cable from the Harness Assembly.
12. Remove the Fan Assembly from the rear of the Cabinet.
13. Remove two Screws, two Nuts and the Fan Motor Assembly from the Fan Housing.



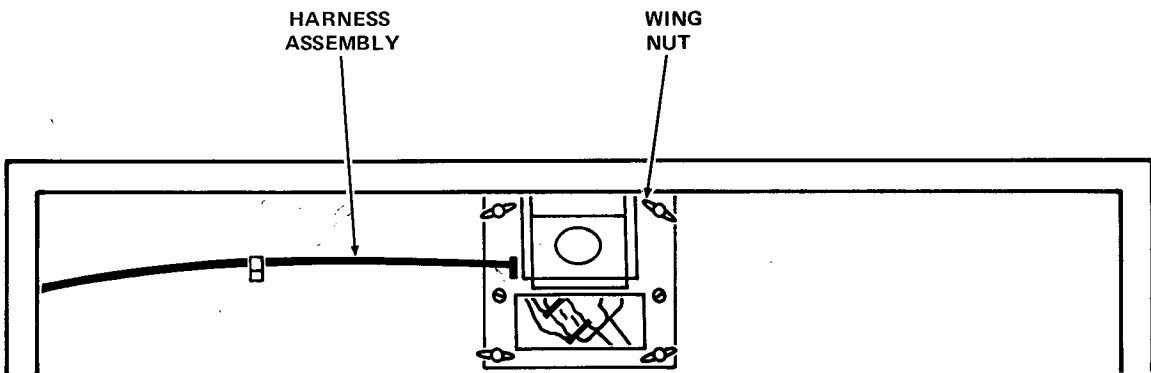
INSIDE REAR OF A 140 SHOWCASE CABINET (FAN BLOCK REMOVED)

VIEW A



INSIDE REAR OF ECM-72 AND EPM-72 CABINETS

VIEW B



INSIDE REAR OF A 21CE-72 CABINET

VIEW C

FIGURE 1

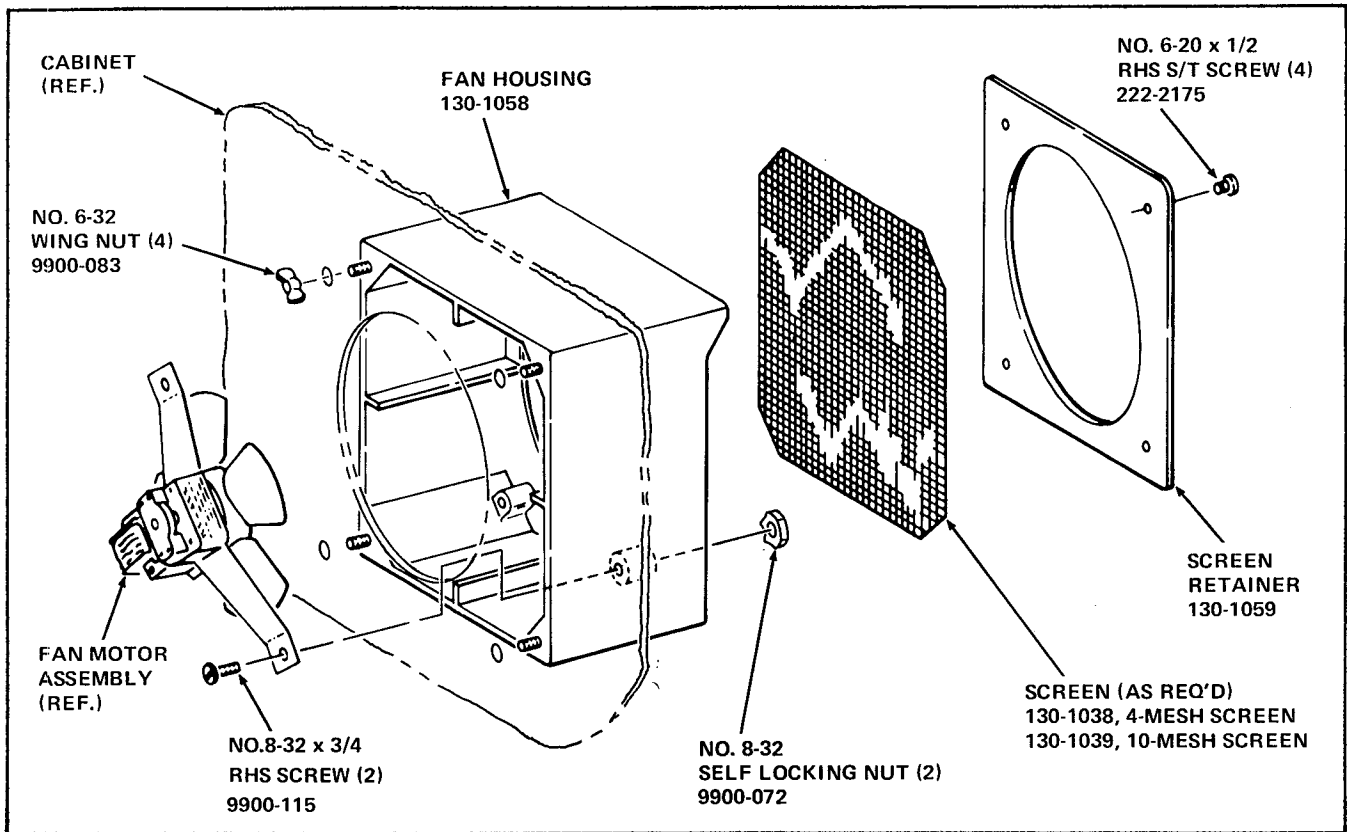


FIGURE 2

B. INSTALLATION OF THE KIT

**NOTE**

A 4-Mesh Screen, Part Number 130-1038, and a 10-Mesh Screen, Part Number 130-1039, both included in the Kit, may be used singly or jointly, subject to the local Health Authority Codes. Be sure to use the right size for the best ventilation results.

1. Position the Screen on the outside face of the Fan Housing, Part Number 130-1058, included in the Kit. See Figure 2.
2. Place the Screen Retainer, Part Number 130-1059, included in the Kit, on top of the Screen and attach the Screen Retainer and Screen to the Fan Housing with the four No. 6-20 x 1/2 Round Head Self Tapping Screws, Part Number 222-2175, included in the Kit. See Figure 2.
3. Install the Fan Motor Assembly in the Fan Housing and attach with two No. 8-32 x 3/4 Round Head Screws, Part Number 9900-115, and two No. 8-32 Self Locking Nuts, Part Number 9900-072, both included in the Kit. See Figure 2.
4. Install the Fan Assembly in the Merchandiser in reverse order of removal. Included in the Kit are four No. 6-32 Wing Nuts, Part Number 9900-083, for securing the Fan Assembly to the Cabinet. See Figure 2.

**NOTE**

Step 5 applies only to 140 Showcase Merchandisers.

5. Install the Fan Block, removed in Step A-5, on the inside rear Cabinet Wall of the Merchandiser and attach with the four Screws also removed in Step A-5.
6. For ECM-72 and EPM-72 Merchandisers, rotate the Delivery Mechanism into the Cabinet. For 21CE-72 Merchandisers, rotate the trays into the Cabinet. For 140 Showcase Merchandisers, install the Trays in the Cabinet.
7. Close and lock the Cabinet Door. The Fan Assembly should start operating.

**CAUTION**

To prevent damage to the Fan Assembly or to the wall behind the Merchandiser, care must be used when pushing the Merchandiser back into the original location.

8. Move the Merchandiser back into its original location.
9. Connect the Merchandiser Power Cord to the wall receptacle.